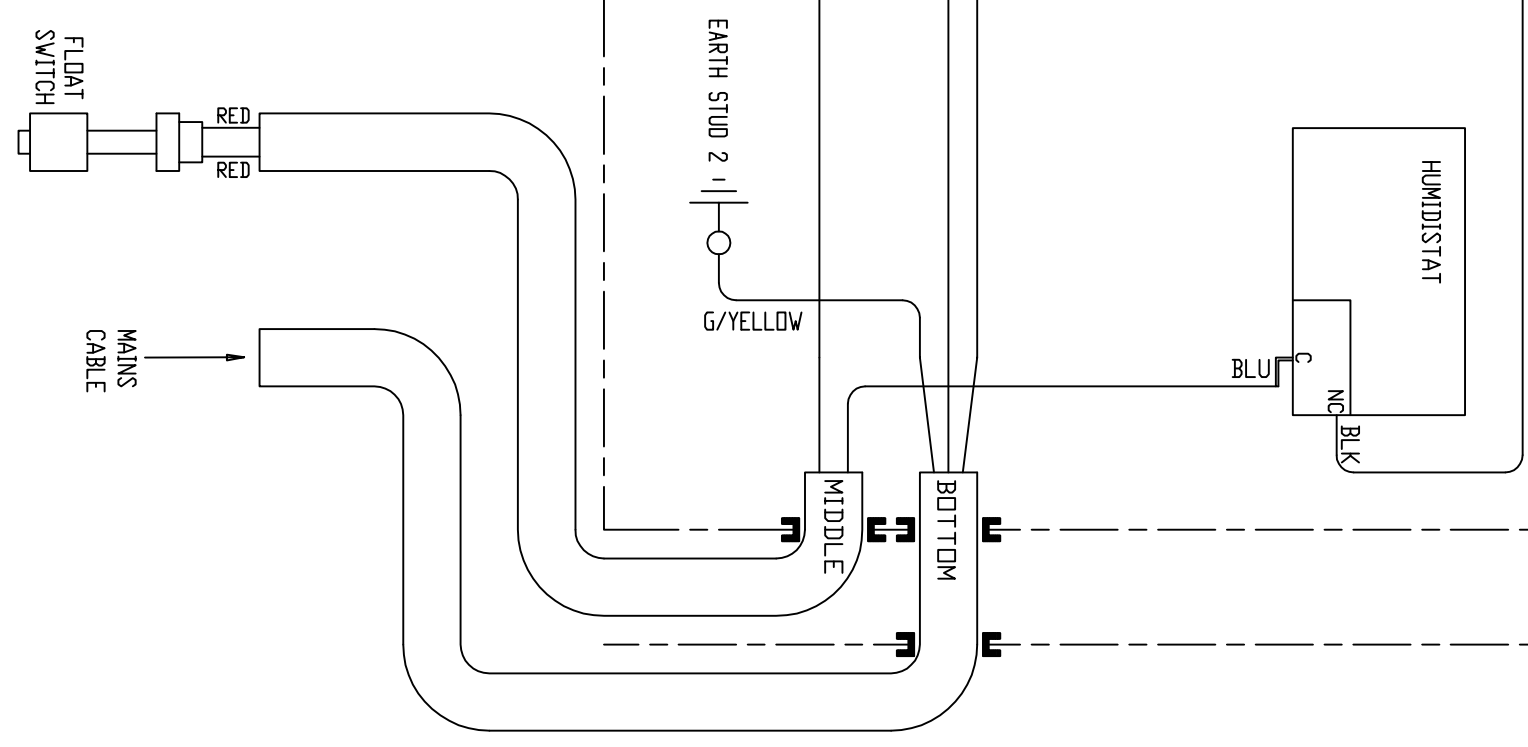
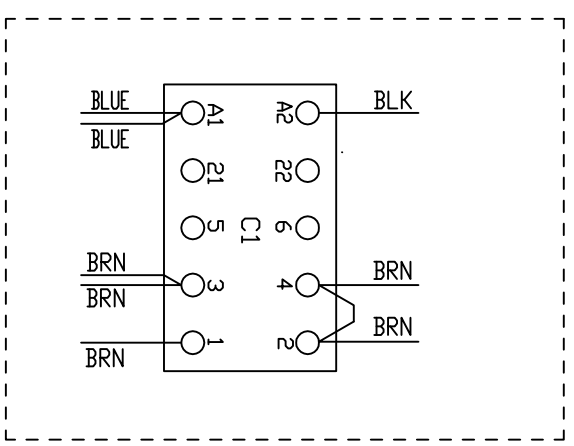
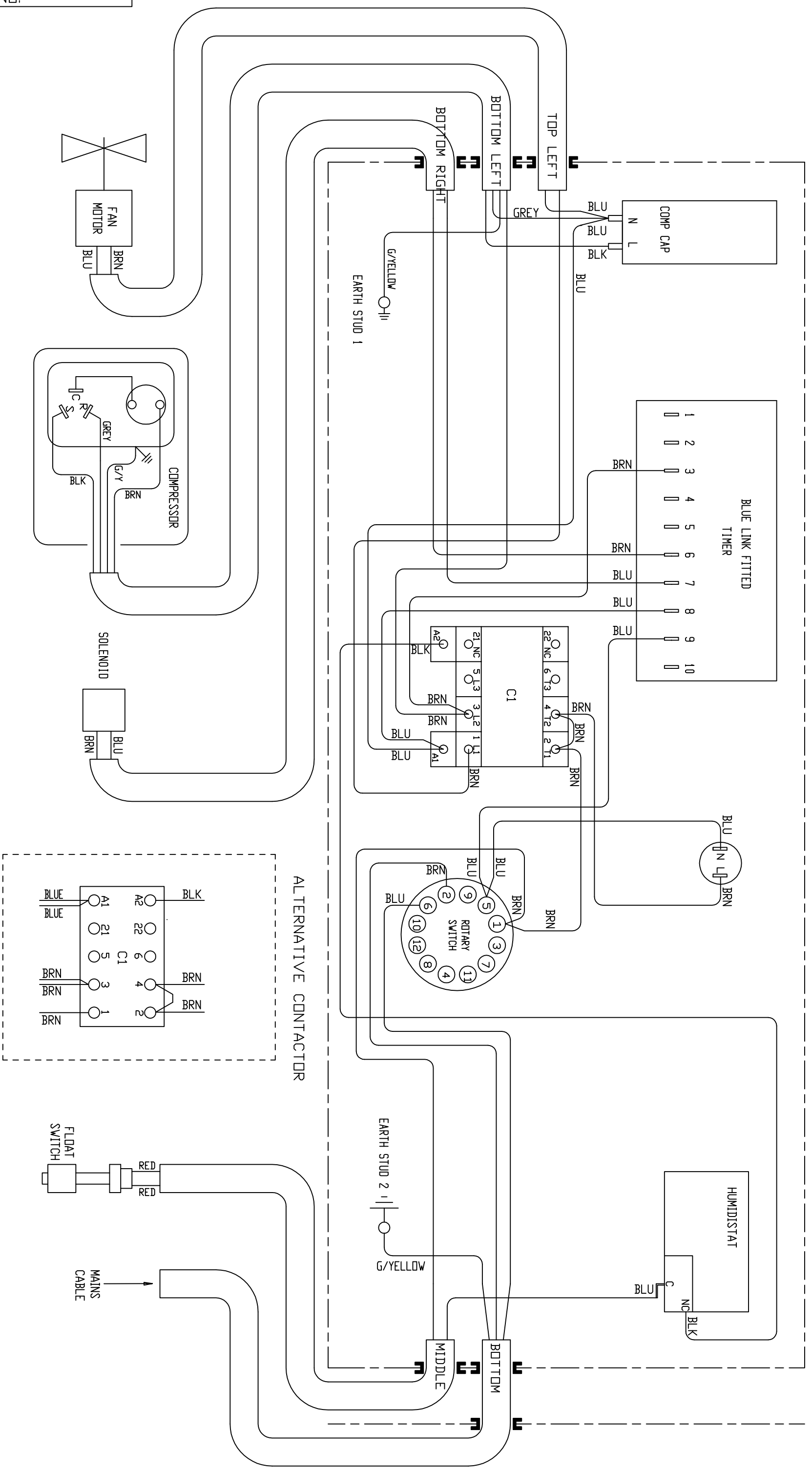
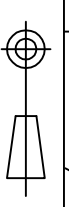


IF IN DOUBT ASK

3RD ANGLE PROJECTION



INSPECTION PROCEDURE	ISS.	1	2	3	4	5	6	7	8	9	10		DRAWN GELSBURY	CHECKED	APPROVED	SCALE		
	DATE	06/06/90	14/8/90	12/6/91	28/08/91	5/11/03	6/4/09	8/5/09	6/10/09	10/02/12	09/03/12							
	C/N		GE	2196	AF	2646	CDM0011	WDA	WDA	WDA	WDA						WDA	
	MATERIAL	FINISH															TOLERANCE UNLESS STATED	
	DIMENSIONS IN m.m.																TITLE	
																	WIRING DIAGRAM	
																	FOR CD100 MKII 240V	
																	DRG.NO. 5010184	
																	SECURITY CLASSIFICATION	
																	DRG.NO. 5010184	

DRG. NO. 5010184

G F E D C B A 1 2 3 4 5 6 7 8 9 10 11